

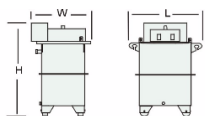
## *Dimmer Dot* - Variable AC Voltage Auto Transformer

### Three Phase - Oil Cooled - Motorised

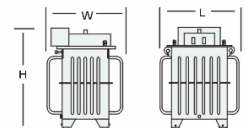


### SPECIFICATIONS

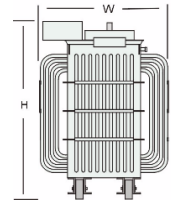
<b>Three Phase:</b> Input: 400 / 415 Volts AC 50 Hz Output: Nominal 0 - 450 / 470 Volts AC								
Type	Nominal Amps	Cont. Amps	H	W	L	Weight No Oil	Oil Qty	
D - 403-T-M-15	40	40	1150	760	830	185	115	
D - 603-T-M-15	60	60	1150	810	910	220	130	
D-1003-T-M-30	100	100	1390	1050	1150	400	315	
D-2003-T-M-30	200	200	1550	1170	1280	435	385	
D-4003-T-M-30	400	400	1470	1450	2100	1200	1150	
D-6003-T-M-30	600	600	1900	1640	2270	1500	1800	
D-8003-T-M-30	800	800	2200	1450	2150	1620	2000	
All dimensions (mm), weights (Kg) and oil quantity (Lt) are approx. only								
Full sweep time: <b>Standard 15 Sec</b> - 100A and above 30 Sec    Also available 15, 30, 45, 60, 90, 120 Sec								
Transformer Oil : AS 60296:2017								



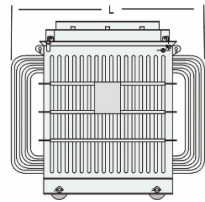
Typical 40 Amp



Typical 60 Amp



Typical 100 Amp -1600 Amp



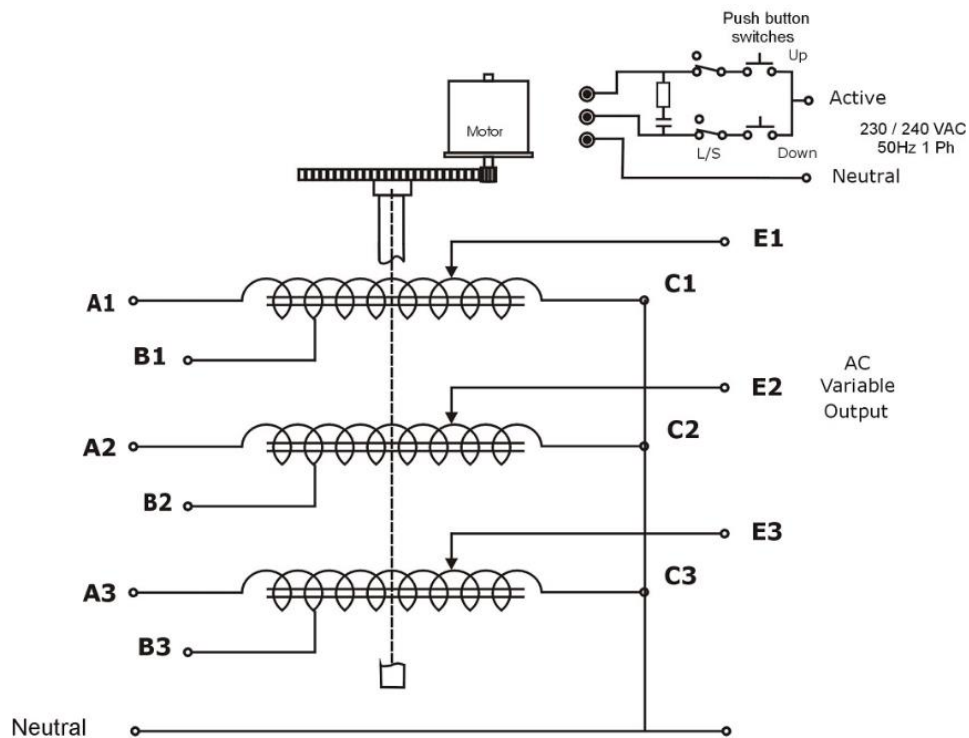
**15 Richards Rd Hoppers Crossing Vic 3029**  
**Ph: 03 9369 4566 Fax: 03 9360 0975**  
**email: sales@ausrec.com.au**  
**www.australianrectifiers.com.au**

*Dimmer Dot* - Variable AC Voltage Auto Transformer

Three Phase - Oil Cooled - Motorised



CIRCUIT DIAGRAM



400 / 415 Volt AC 50Hz Line Input to A1, A2, A3 for 'Line voltage' Output  
 400 / 415 Volt AC 50Hz Line Input to B1, B2, B3 for 'Over voltage' Output